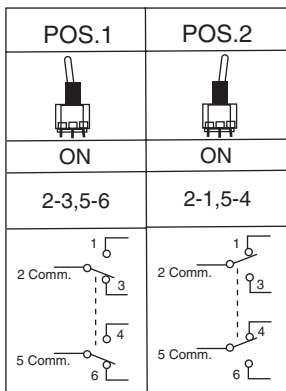
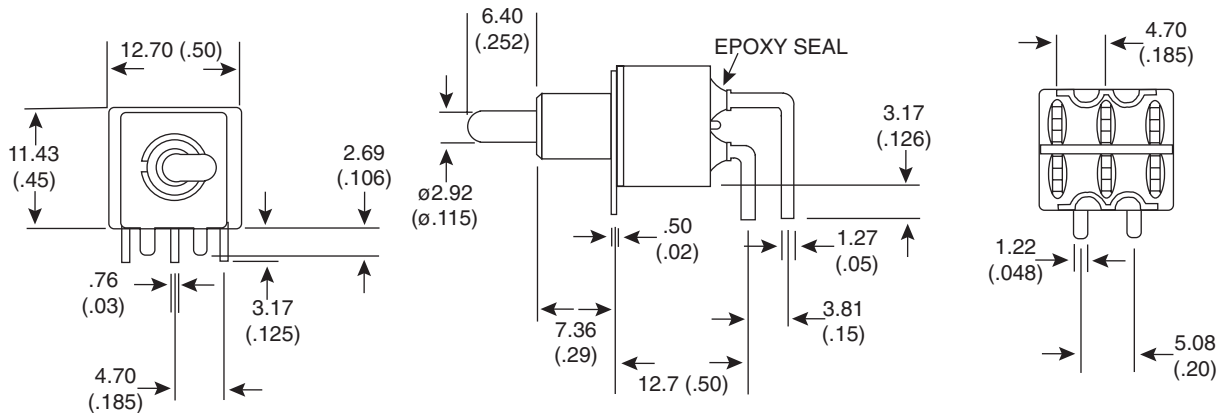
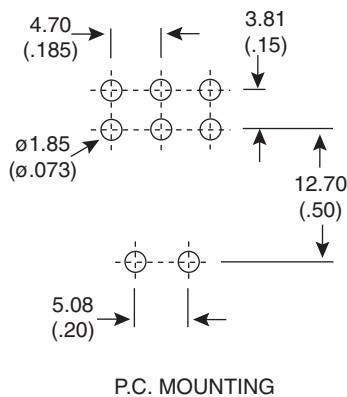
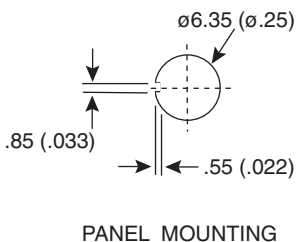


Dimensions: mm (in.)



SWITCH FUNCTION



Electrical Specifications:

- Electrical Life: 40,000 make-and-break cycles at full load
- Contact Resistance: 10m Ω max. initial @ 2-4VDC 100mA
- Insulation Resistance: 1,000M Ω min
- Dielectric Strength: 1,000 V RMS@ sea level
- Rating: 2A / 250 VAC; 5A / 120 VAC or 28 VDC

Mechanical Specifications:

- Operating Temperature: -30° C to +85° C

Note:

- RoHS compliant by exemption

Materials:

- Case: Diallyl phthalate (DAP)
- Acuator: Brass, chrome plated
- Bushing: Brass, nickel plated
- Housing: Stainless steel
- Terminal/Contact: Silver or Gold plated

Toggle Switch
108-1MD1T2B4M6QE-EVX

